

Knife Edge Gate Valve



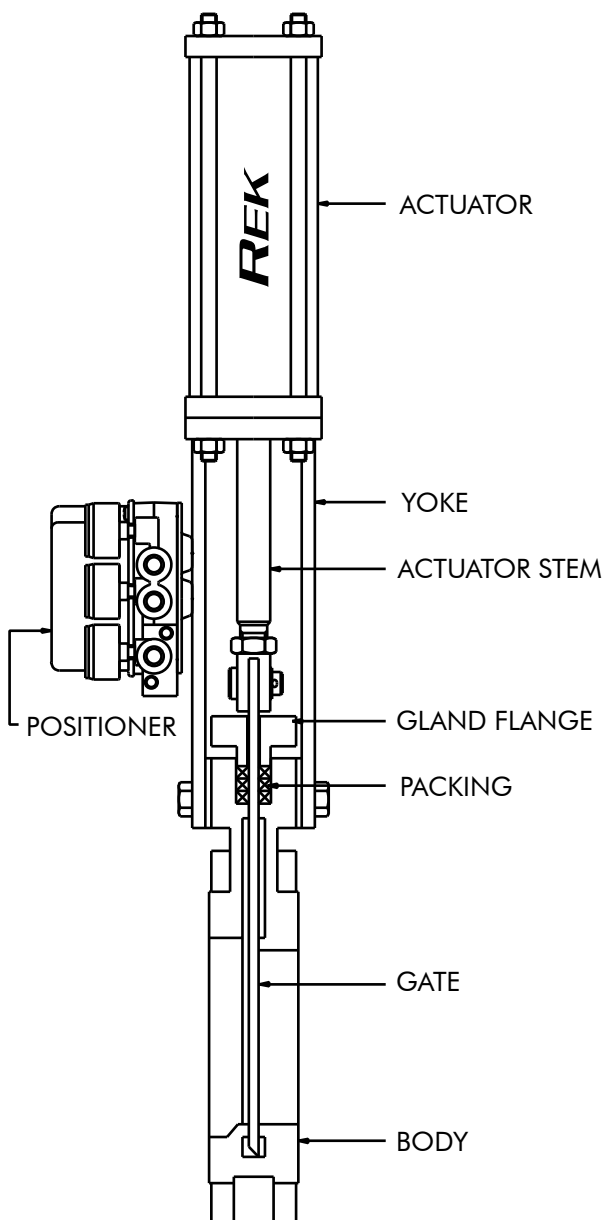
KG Series
CONTROL VALVES

KG Series

Knife Edge Gate Valves



High Performance Knife Edge Gate Valve



| | |
|--|--|
| Model <input type="checkbox"/> | KG Series |
| Type <input type="checkbox"/> | KG Series gate / Parallel slide/ pulp Bi-direction flow |
| Application <input type="checkbox"/> | Throttling or On-Off duty for handling <input type="checkbox"/> Slurry, Sludge, Viscose, Pulp & paper <input type="checkbox"/> stock, Dry and solid powder, Ash, <input type="checkbox"/> Cement , Carbon, Sticky Media, <input type="checkbox"/> Molasses, Polymer chips. |
| Size <input type="checkbox"/> | 2.0" (50 mm) to 36" (1000 mm) |
| Pressure class <input type="checkbox"/> | 150# |
| End connection <input type="checkbox"/> | Wafer, Lug design suitable to fit <input type="checkbox"/> directly between two pipe flanges |
| Body Material <input type="checkbox"/> | All Castable Alloys |
| Seat <input type="checkbox"/> | Integral , metal to metal contact |
| Gate <input type="checkbox"/> | SS 304,316 ground mirror finish. Hard <input type="checkbox"/> chrome plating / Nitriding of gate is <input type="checkbox"/> available as an option. |
| Shaft <input type="checkbox"/> | Stainless steel |
| Gland Packing <input type="checkbox"/> | Multi-layer square Braided PTFE with <input type="checkbox"/> adjustable gland. |
| Actuators <input type="checkbox"/> | Pneumatic - double acting cylinder |
| Electric <input type="checkbox"/> | Single phase, Three phase |
| Accessories <input type="checkbox"/> | Positioner (Pneumatic & Electro- Pneumatic) for throttling duty, Solenoid <input type="checkbox"/> valve, Limit switches etc. |



REK VALVES LTD.

1 St. Pauls Yard, Silver Street, Newport Pagnell,
Buckinghamshire MK 16 OEG, UNITED KINGDOM
Tel : + 44 (1908) 210666, Fax : + 44 (1908) 210888,
E-mail : sales@rekvalves.com, info@rekvalves.com
Website : www.rekvalves.com