

Flush Bottom Discharge Valve

Best In Performance



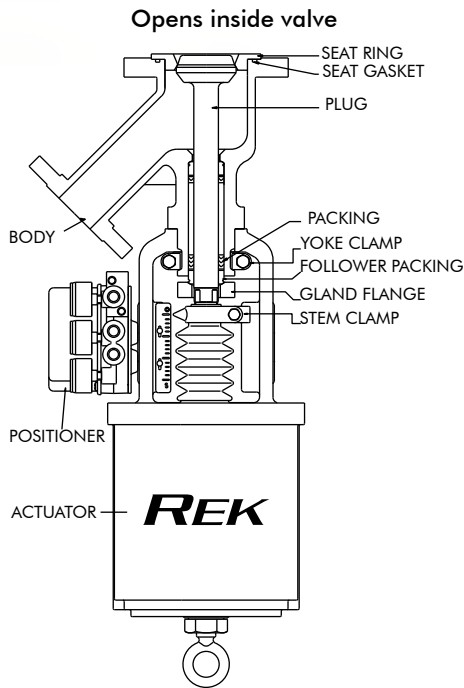
BD Series
CONTROL VALVES

BD Series

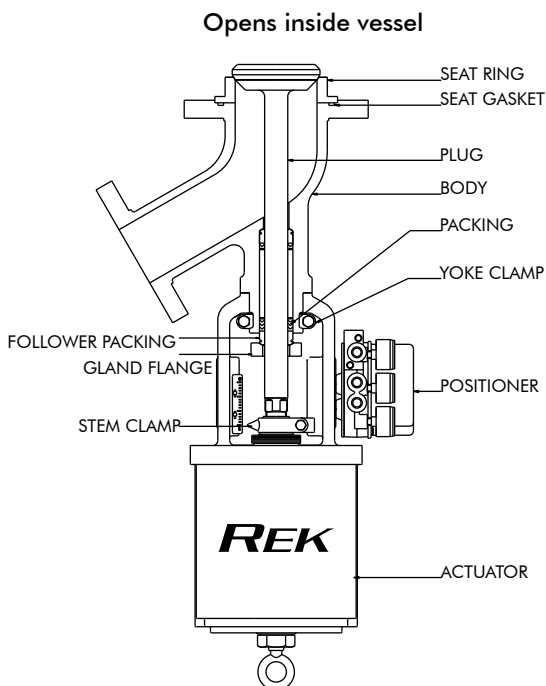
Discharge Valves



High Performance BD Series Bottom Discharge Valve



Model	BD Series
Type	BD Series Bottom Discharge
Application	For Tank and Vessel draining
Inlet connection	Suitable for mounting on vessel manhole pad flange
Discharge connection	at 45° / 60° / 90°



Size	1.0"x0.75"	1.5"x1.0"	2.0"x1.5"
	3.0"x2.0"	4.0"x3.0"	6.0"x4.0"
	8.0"x6.0"	10.0"x8.0"	12.0"x10.0"
	Option is available for same size of inlet and discharge		
Pressure class	Up to ANSI #600		
End connection	Flanged BS / ANSI / JIS / DIN		
Body Material	All castable Alloys , Glass Teflon lining up to 6.0" & Jacketed valve body is available.		
Plug	Large seat contact area, Open inside vessel or inside valve body.		
Plug Guiding	Heavy duty double top stem guiding		
Characteristics	Equal Percentage, Linear and On-Off		
Seat	Replaceable , Metal or Teflon soft seat		
Bonnet	Standard Bolted and Extension		
Gland Packing	PTFE, Braided PTFE and Grafoil		
Actuators	Pneumatic - Spring cylinder / Double acting cylinder		
Electric	Single phase , Three phase		
Accessories	Positioner (Pneumatic & Electro-Pneumatic) for throttling duty Solenoid valve, Limit switches, Hand wheel		



REK VALVES LTD.

1 St. Pauls Yard, Silver Street, Newport Pagnell,
Buckinghamshire MK 16 OEG, UNITED KINGDOM
Tel : + 44 (1908) 210666, Fax : + 44 (1908) 210888,
E-mail : sales@rekvalves.com, info@rekvalves.com
Website : www.rekvalves.com